

holding system



NF61003

DG61003

MG61003

MA61003

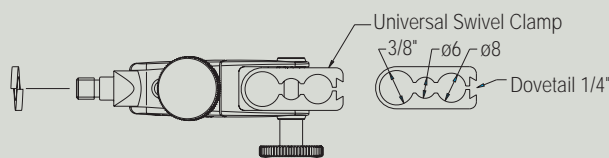
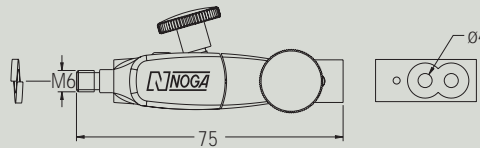
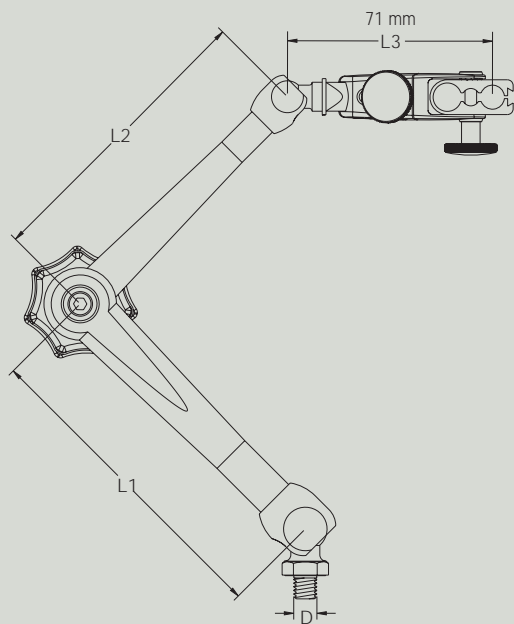


ARTICULATED HOLDERS FAT

NOGA articulated holders with fine adjustment on top

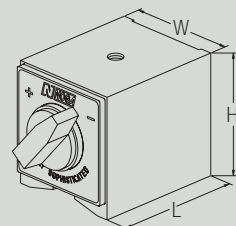
Due to its stability and ease of use, NOGA articulated holder has become the industry most wanted.

- New fine adjustment on top with universal swivel clamp.
- Holds 6mm, 8mm, 3/8", dovetail and back lug.
- Central locking mechanism with NOGA designed spring loaded bearing.
- Five axis holder.
- Powerful on/off magnetic base.
- Instant fixation in any position.
- Fast and easy to set up gauges into required position.
- Black finished arms.



FA1500

FA1510



see page 18

All measurements are in mm unless otherwise mentioned.

Order no.	Holder		Arm length			Magnet			
	Bottom thread	Weight	Bottom arm	Top arm	Total	Force	Dimension		
	D	[Kg]	L1	L2	L1 + L2 + L3	[N]	W	L	H
NF61003	Ext. M5	0.520	56	51	178	320	30	40	35
NF60103	Ext. M5	0.320	56	51	178	-	-	-	-
DG61003	Ext. M8	1.350	110	101	282	800	50	60	55
DG60103	Ext. M8	0.340	110	101	282	-	-	-	-
MG61003	Ext. M8	1.900	133	113	317	800	50	60	55
MG60103	Ext. M8	0.900	133	113	317	-	-	-	-
MA61003	Ext. M10 x 1.25	5.100	326	242	637	1300	50	120	55
MA60103	Ext. M10 x 1.25	3.100	326	242	637	-	-	-	-