

holding system



NF60003

DG60003

MG60003

MG70003

MA60003



MODULAR HOLDERS

NEW

The smallest and lightest arm in the market.



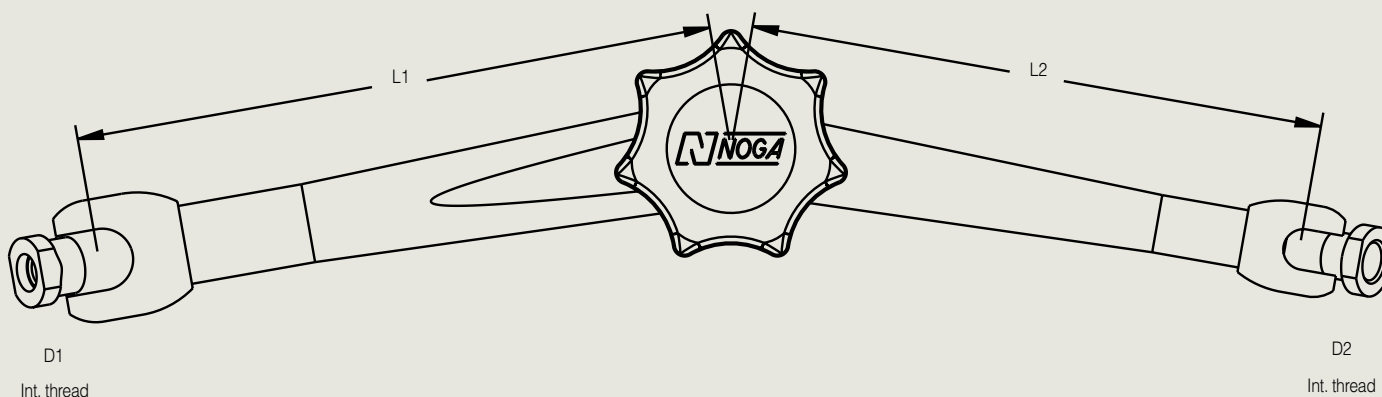
LC60003

Six different sizes of articulated arms are offered for a wide range of applications.

Choose the arms that fit your needs.

A number of accessories are shown on pages 18-19 and 22-23.

Custom-made arms and accessories are available upon request. Minimum quantity 500 pcs.


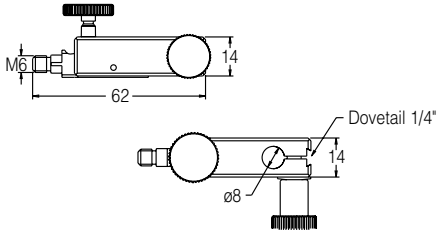

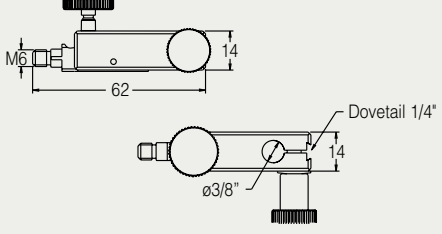

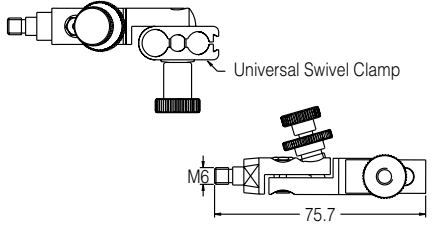

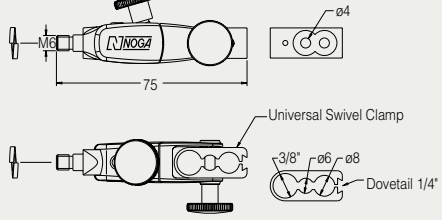


All measurements are in mm unless otherwise mentioned.


Order no.	Weight [Kg]	Int. thread		Arms length	
		D1	D2	L1	L2
NEW LC60003	0.070	M6	M6	50	50
NF60003	0.210	M6	M6	56	51
DG60003	0.250	M6	M6	110	101
MG60003	0.750	M8	M6	133	113
MG70003	0.800	M8	M6	163	113
MA60003	3.000	M10 x 1.25	M6	326	242

holding system

Top attachments for dial & test indicators


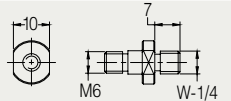

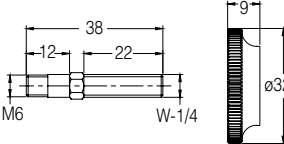

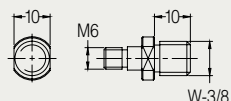

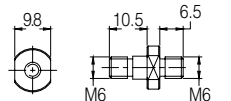

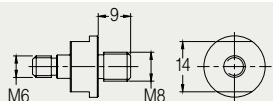

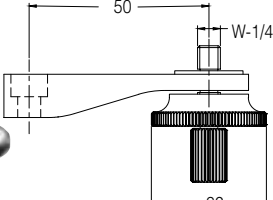
<p>FA1300</p>	<p>M6</p>	<p>PLASTIC F.A. 8mm</p>		
<p>FA1301</p>	<p>M6</p>	<p>PLASTIC F.A. 3/8"</p>		
<p>FA1400</p>	<p>M6</p>	<p>2SM Metal F.A. 6mm, 8mm, 3/8"</p>		
<p>FA1500</p>	<p>M6</p>	<p>Metal F.A. 6mm, 8mm, 3/8"</p>		

Clamps for top attachment


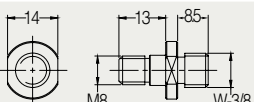

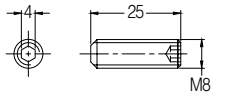
<p>NF0125</p>	<p>M6 EXT.</p>	<p>CLAMP 1"</p>		
<p>DG0125</p>	<p>M6 EXT.</p>	<p>CLAMP 2"</p>		

ACCESSORIES


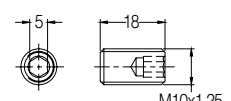

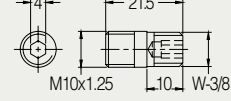

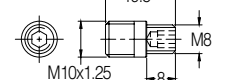
M6 Accessories

AD6010		
AD6013		
AD6030		
AD6060		
AD6080		
MA0125		

M8 Accessories

AD8030		
AD8080		

M10 x 1.25 Accessories




AD1000		
AD1030		
AD1080		

3 Points Clamp



	Dia. Post	Dia. Arm	
PH0315	10	8	For Holder PH3100
PH0310	14	12	For Holders: PH2040 PH6400 PH6410
PH0312	16	16	For Holders: PH4016, PH6400, PH6410
PH0313	18	16	For Holders: PH6800, PH6810



Knobs

DG0160	Knob for NF&DG Holders	
MG1620	Knob for MG Holders	
MA0100	Knob for MA Holders	

Screws

DG0061	M2.5x10	Replacement screw for FA1500.	
NF0049	M2.5x10	Replacement screw for NF10403 & NF10433.	
DG0094	M2.5x10	Replacement screw for DG10503, DG10533, MG10503 & MG10533.	