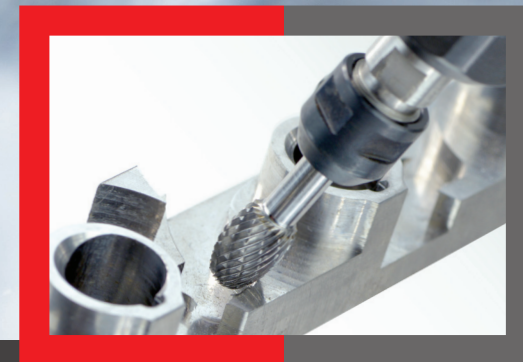




TUNGSTEN CARBIDE ROTARY BURRS



Designed for high speed rotation & smooth deburring.
Optimal for hard-to-cut materials.

TUNGSTEN CARBIDE ROTARY BURRS

For more than 40 years NOGA has been recognized worldwide for its state-of-the-art Hand Deburring Tools, designed to be used extensively in industrial applications.

Now we are proud to introduce our new Tungsten Carbide Burrs for metal removing.

This product line has been developed and produced especially for Noga, working closely with our engineers and receiving customer's feedback to ensure ours and your high levels of satisfaction.

Products are made from high standard carbide steel bars with a solid cylindrical shank for higher performance and a stronger welding area.

Our high quality materials deliver consistent performance with longer tool life.

Large selection of shapes and cut styles for steel, stainless steel, high temp. alloys and cast iron.



A good tool improves the way you work.

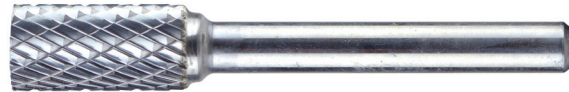
Our tools improve the products you make.

Noga is innovation

TUNGSTEN CARBIDE ROTARY BURRS

SERIES A

CYLINDER
DOUBLE CUT



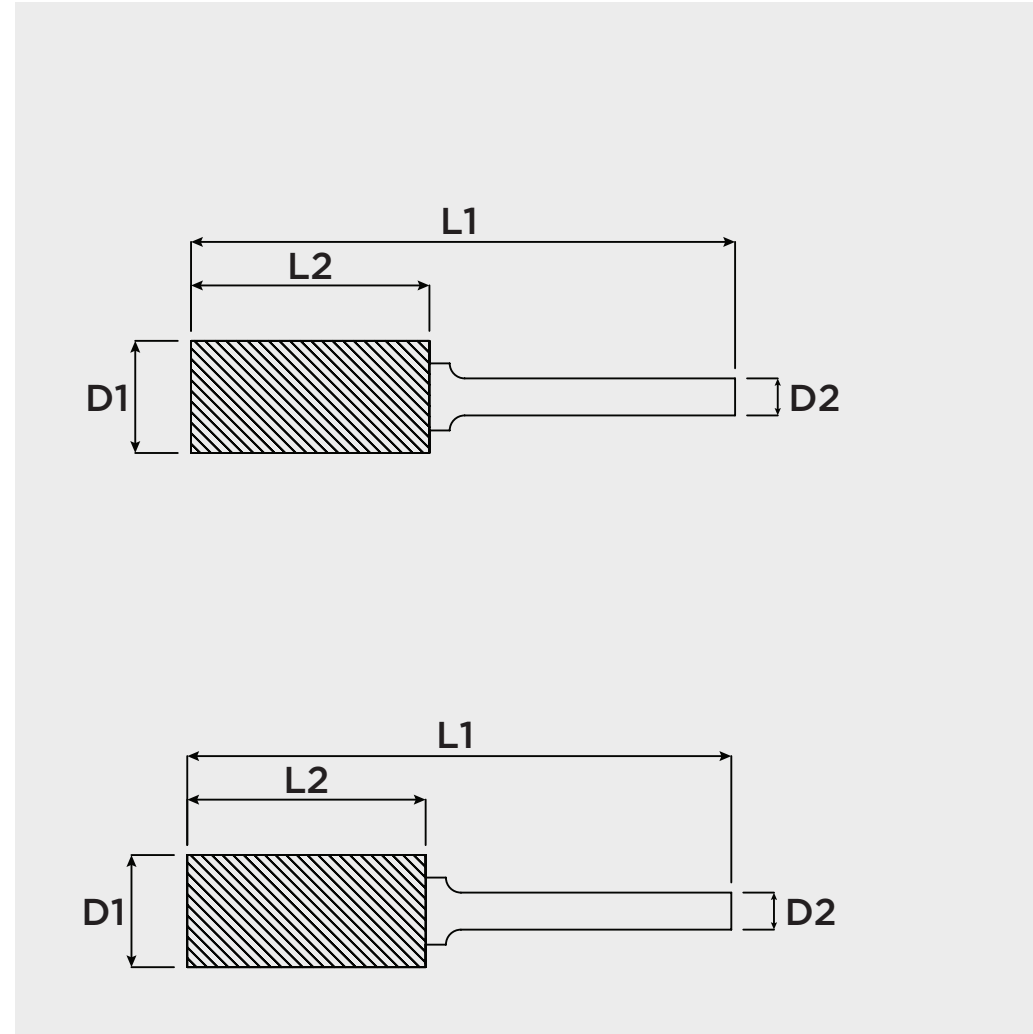
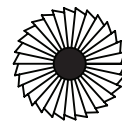
Ordering Code	D1	L2	D2	L1
CB1606	6	16	6	60
CB1608	8	20	6	64
CB1610	10	20	6	64
CB1612	12	25	6	69
CB1616	16	25	6	69

SERIES B

CYLINDER &
END CUT
DOUBLE CUT



Ordering Code	D1	L2	D2	L1
CB2606	6	16	6	60
CB2608	8	20	6	64
CB2610	10	20	6	64
CB2612	12	25	6	69
CB2616	16	25	6	69



All measurements are in mm unless otherwise mentioned.

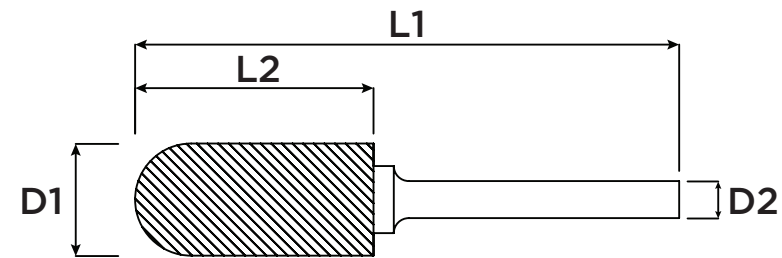
TUNGSTEN CARBIDE ROTARY BURRS

SERIES C

BALL-NOSE
CYLINDER
DOUBLE CUT

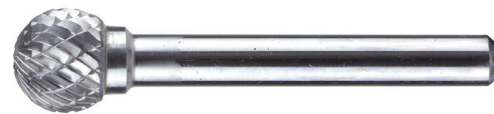


Ordering Code	D1	L2	D2	L1
CB3606	6	16	6	60
CB3608	8	20	6	64
CB3610	10	20	6	64
CB3612	12	25	6	69
CB3616	16	25	6	69

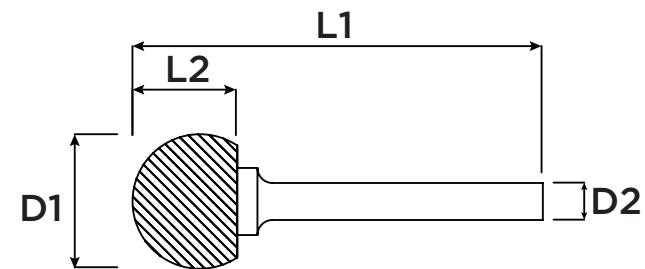


SERIES D

BALL
DOUBLE CUT



Ordering Code	D1	L2	D2	L1
CB4606	6	5	6	50
CB4608	8	6.4	6	50
CB4610	10	9	6	53
CB4612	12	10.8	6	55
CB4616	16	14	6	58



All measurements are in mm unless otherwise mentioned.

TUNGSTEN CARBIDE ROTARY BURRS

SERIES E

OVAL
DOUBLE CUT



Ordering Code	D1	L2	D2	L1
CB5606	6	9.5	6	54
CB5608	8	13	6	58
CB5610	10	16	6	60
CB5612	12	22	6	66
CB5616	16	25	6	69

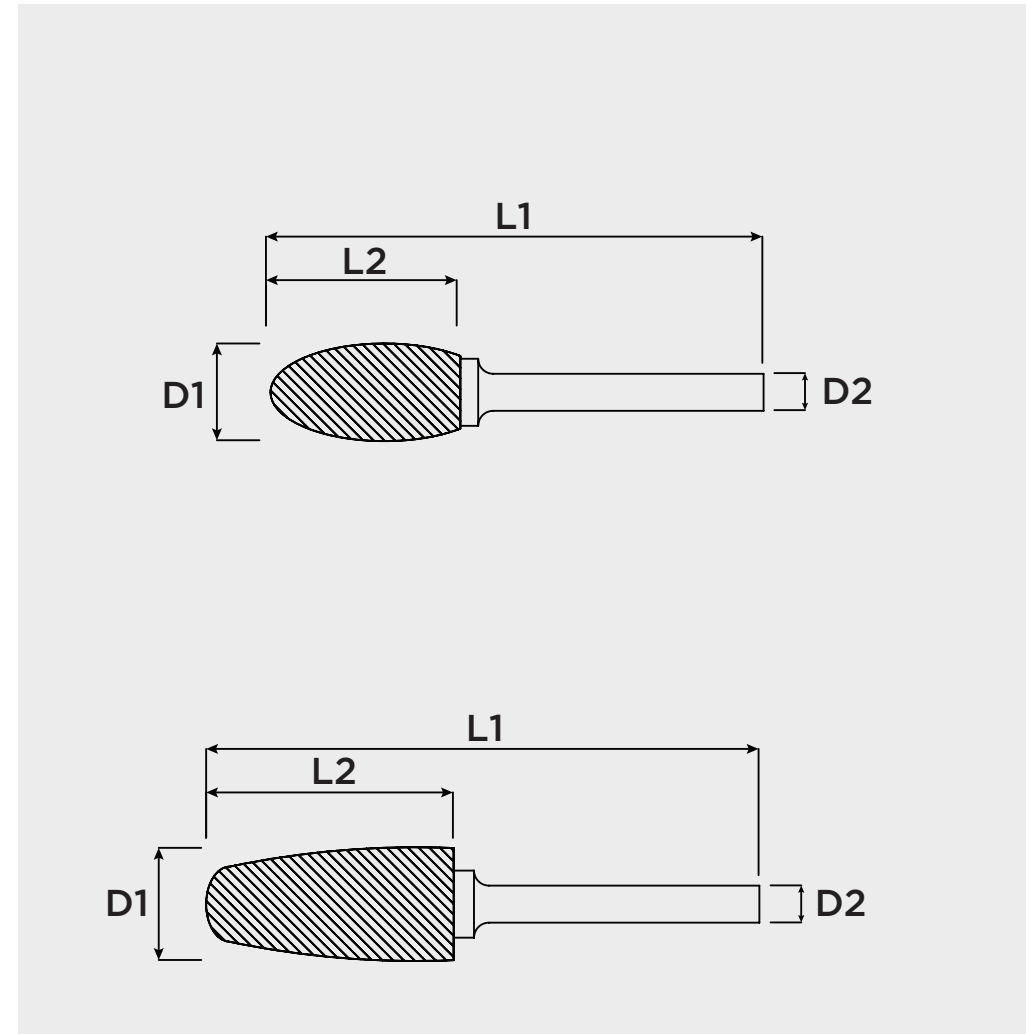
SERIES F

BALL-NOSE
TREE
DOUBLE CUT



Ordering Code	D1	L2	D2	L1
CB6606	6	16	6	60
CB6608	8	20	6	64
CB6610	10	20	6	64
CB6612	12	25	6	69
CB6616	16	25	6	69

All measurements are in mm unless otherwise mentioned.



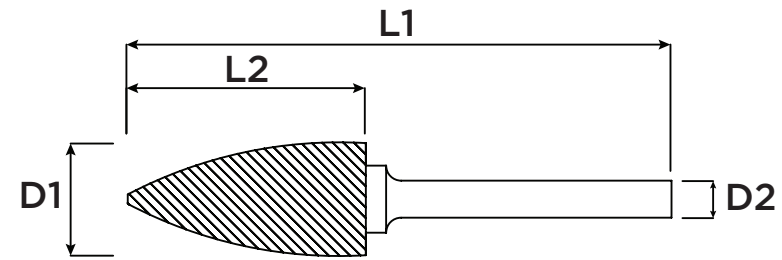
TUNGSTEN CARBIDE ROTARY BURRS

SERIES G

TREE
DOUBLE CUT



Ordering Code	D1	L2	D2	L1
CB7606	6	16	6	60
CB7608	8	20	6	64
CB7610	10	20	6	64
CB7612	12	25	6	69
CB7616	16	25	6	69

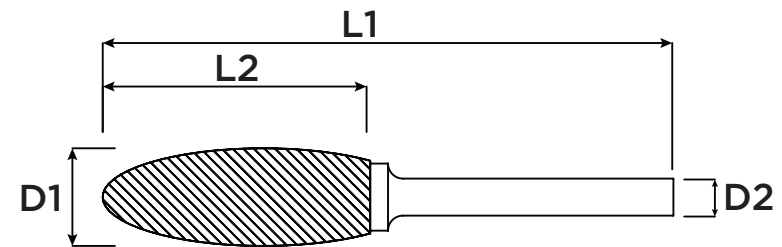


SERIES H

FLAME
DOUBLE CUT



Ordering Code	D1	L2	D2	L1
CB8606	6	16	6	60
CB8608	8	20	6	64
CB8610	10	25	6	69
CB8612	12	32	6	76
CB8616	16	36	6	80



All measurements are in mm unless otherwise mentioned.

TUNGSTEN CARBIDE ROTARY BURRS

SERIES L

BALL-NOSE
CONE
DOUBLE CUT



Ordering Code	D1	L2	D2	L1	a
CB9606	6	16	6	60	14°
CB9608	8	22	6	66	14°
CB9610	10	25	6	71	14°
CB9612	12	28	6	72	14°
CB9616	16	30	6	77	14°

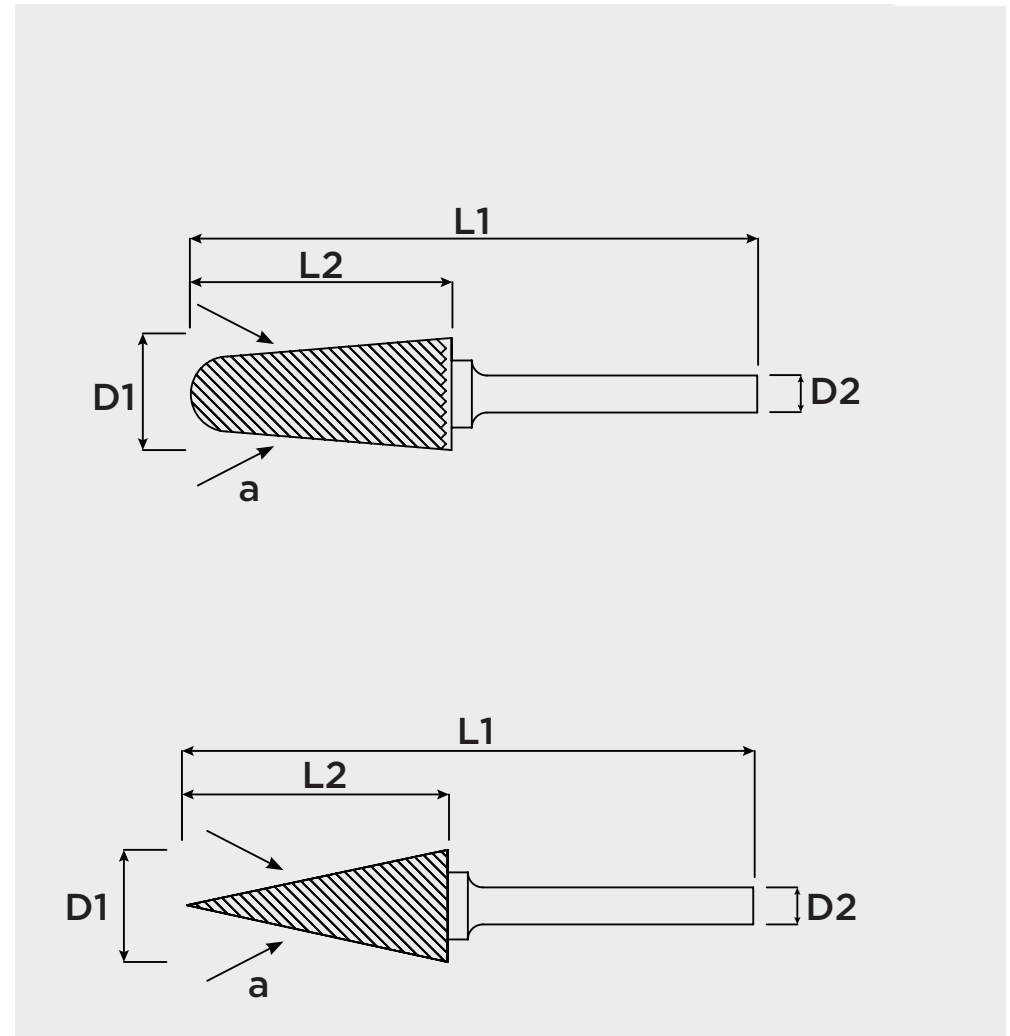
SERIES M

CONE
DOUBLE CUT



Ordering Code	D1	L2	D2	L1	a
CB0606	6	16	6	60	14°
CB0608	8	20	6	64	28°
CB0610	10	20	6	64	28°
CB0612	12	25	6	69	28°
CB0616	16	25	6	69	31°

All measurements are in mm unless otherwise mentioned.





TUNGSTEN CARBIDE ROTARY BURRS

All NOGA products meet the strict requirements of ISO 9001, 14001 and ISO 14385.
We invite you to visit our web site: www.noga.com for further information.
NOGA reserves the right to make changes in any of its products without prior notice.
© Copyright NOGA Engineering & Technology (2008) Ltd.

All rights reserved. No part of this publication may be reproduced, transcribed, stored in an electronic retrieval system, translated into any language or computer language, or be transmitted in any form whatsoever without the prior written consent of the publisher.



Noga Engineering and Technology (2008) Ltd.
P.O.B. 55. Dora Industrial Park
Shlomi 2283200, Israel
Tel: 972-4-9808080
Fax: 972-4-9808638
E-mail: noga@noga.com
www.noga.com